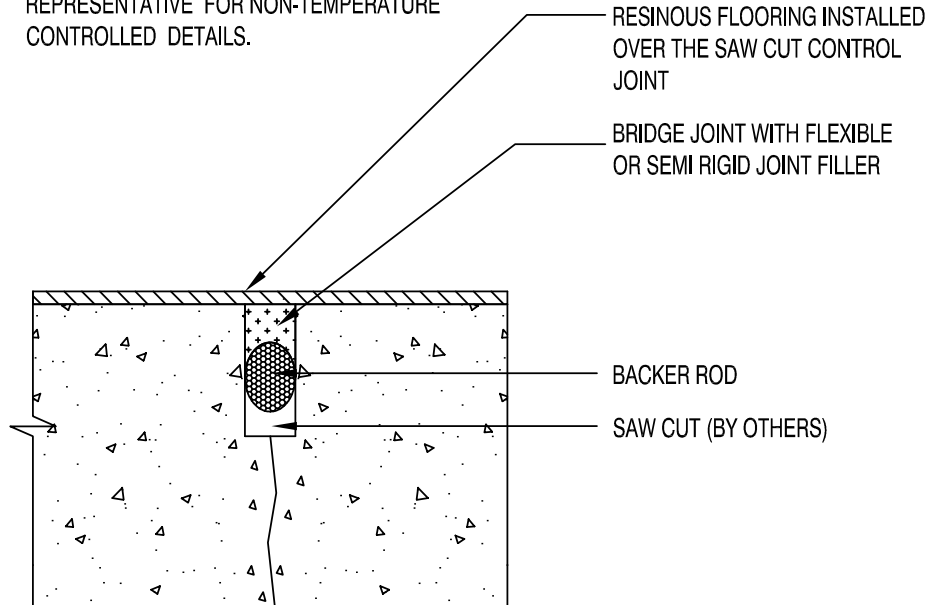




NOTE: THIS DETAIL IS INTENDED FOR USE IN TEMPERATURE CONTROLLED INSTALLATIONS.

CONTACT YOUR LOCAL SHERWIN-WILLIAMS REPRESENTATIVE FOR NON-TEMPERATURE CONTROLLED DETAILS.



J3

SAW CUT CONTROL JOINT DETAIL

NTS

SHERWIN- WILLIAMS TYPICAL FLOORING DETAIL SAW CUT DETAIL TEMPERATURE CONTROLLED ENVIRONMENT	J3
--	----